




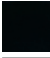

## EDITION PRO Tissue holder with cover - Chrome

---

83 510 626



- width 150mm
- height 95 mm
- rosette Ø 40 mm
- 40mm projection

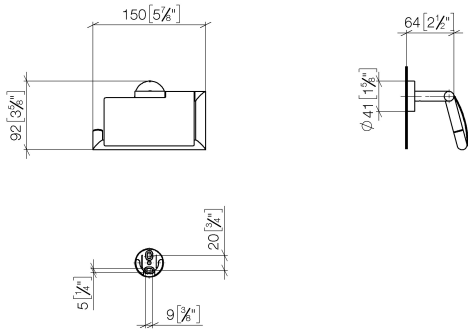
|   |                |               |
|---|----------------|---------------|
|  | Chrome         | 83 510 626-00 |
|  | Matte Black    | 83 510 626-33 |
|  | Brushed Chrome | 83 510 626-93 |

EDITION PRO Tissue holder with cover - Chrome

---

83 510 626

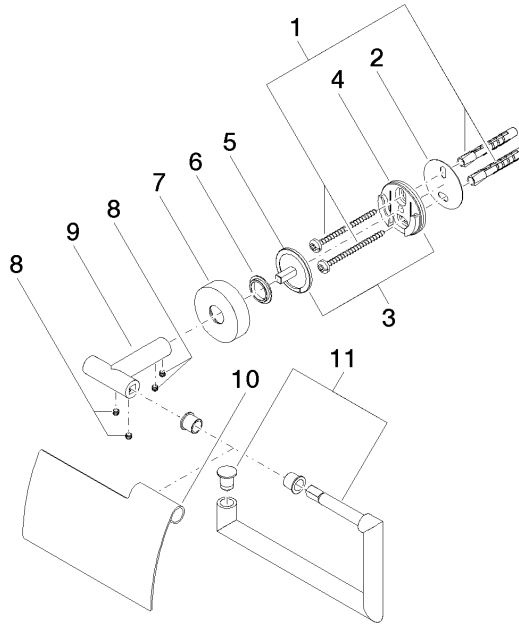
mm [inches]



**EDITION PRO Tissue holder with cover - Chrome**

83 510 626

Parts for other finishes can be found here: [Matte Black](#)



**Spare parts list**

| No. | Item Number        | Name       | Quantity used | Delivery time |
|-----|--------------------|------------|---------------|---------------|
| 1   | 05 30 31 025 00 90 | fixing set | 1             | 2             |
| 2   | 05 30 11 519 00 90 | disc       | 1             | 2             |
| 3   | 05 17 97 501 01 90 | fixing set | 1             | 2             |
| 4   | 08 17 97 501 07    | holder     | 1             | 2             |
| 5   | 08 17 97 559 90    | holder     | 1             | 2             |
| 6   | 08 30 11 516 90    | ring       | 1             | 2             |
| 7   | 08 27 97 500-00    | rosette    | 1             | 10            |
| 8   | 90 31 11 038 00 90 | pin        | 4             | 2             |
| 9   | 05 17 97 562 01-00 | holder     | 1             | 10            |
| 10  | 08 11 02 514-00    | lid        | 1             | 10            |
| 11  | 90 28 22 628 00-00 | holder     | 1             | 10            |